

CONGRESS®

ES-12-PB8006

MOBILE SIMULTANEOUS INTERPRETATION BOOTH SYSTEM

Number of panels: 13

Outside dimensions:

249 cm x 203 cm x 166 cm (L x H x D)

Acoustic environment:

Comply with ISO-4043-2016 international standards

Number of interpreters:



Technology & Sleek design

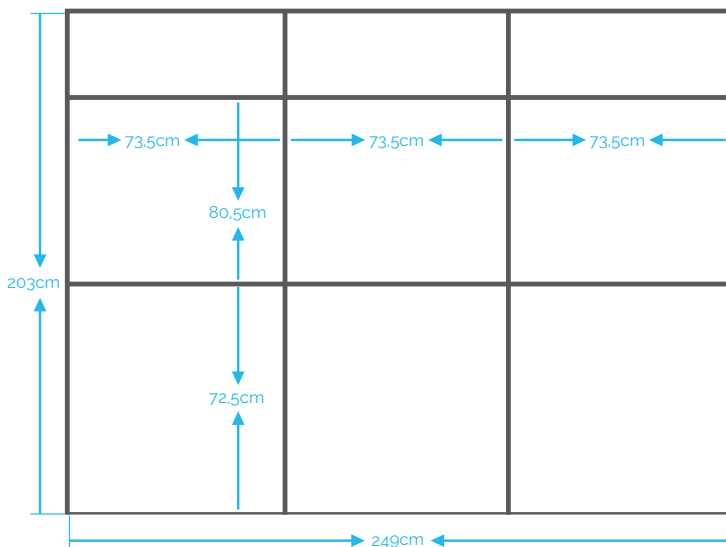


Standard outside color:
Light grey (laminate finish)

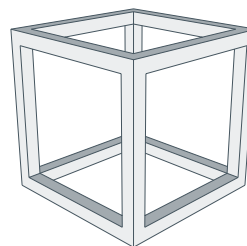
Standard inside color:
Light grey

Assembly:
No tools required (new quick Latch® systems)

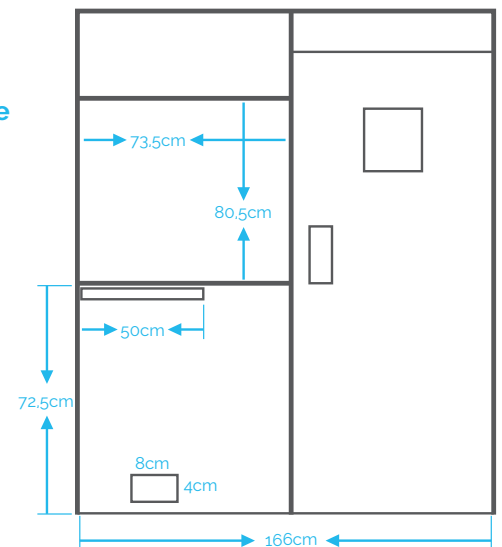
Approximative assembly time:
10 minutes (2 persons)



NEW
Aluminium panels frame



Including QuickLock®
patent panel
fastener systems

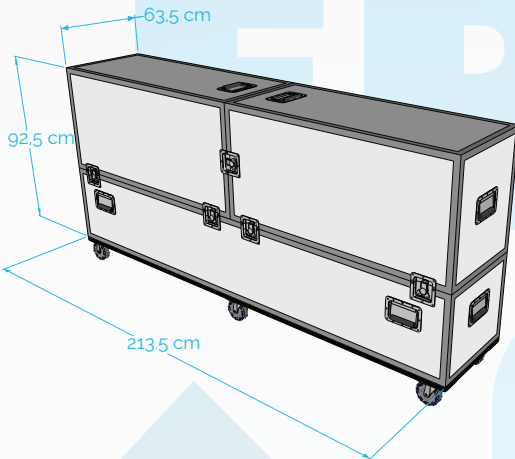


*Interior dimensions shown

Your ultimate link between
YOUR MESSAGE
AND THE WORLD!



Total packaging weight : 255,6 kg



Storage & Shipping:

Included (1) ATA-300 shipping cases on wheels (105 kg for 1 case).

Outside case dim. 213,5 cm x 92,5 cm x 63,5 cm (L x H x D)

Included:

- (3) Air extractor 6 volts units
- (3) 350 LX LED lights with remote
- (1) Working table
- (1) CO² detector
- (1) Shipping case



Options:

External air conditioning system

Construction

Each panel is built with laminate finish exterior with special isolated soundproof fiberglass panel. Material is fire retardant UL-723. Inside covering is made with decorative textile 100% polyester. Cotton of 9 mm. Woven density and weight of 60 gr. per meter. Framing is aluminium extrusion with unique latching systems for easy assembly without tools.



PANELS	DIMENSIONS	WEIGHT
Standard panels (4)	82,3 cm x 201 cm	13,60 kg
Window panels (5)	82,3 cm x 201 cm	15,20 kg
Door panel (1)	82,3 cm x 201 cm	18,50 kg
Roof panels (3)	84 cm x 163,6 cm	9,90 kg
TOTAL PANELS WEIGHT		178,60 kg
TOTAL PANELS & CASES WEIGHT		247,10 kg

*Door panel may be installed on both sides or in the back