

PROTOCOLE®

ES-12-PB8002

Number of panels: 10

Outside dimensions:

171,4 cm x 203,5 cm x 173,5 cm (L x H x D)

Acoustic environment:

Surpass ISO-4043-1998 international standard

Number of interpreters:



Standard outside color:

Dark grey or light grey (ABS plastic finish)

Standard inside color:

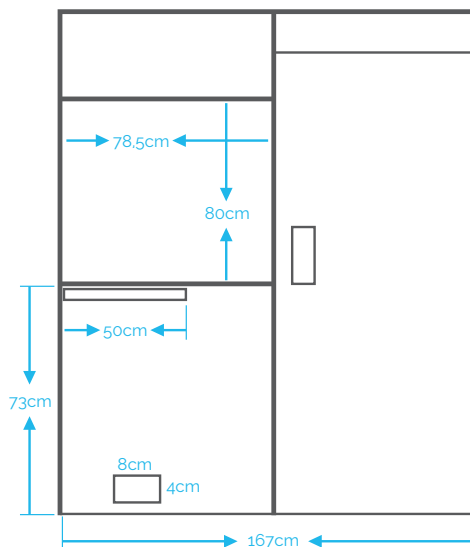
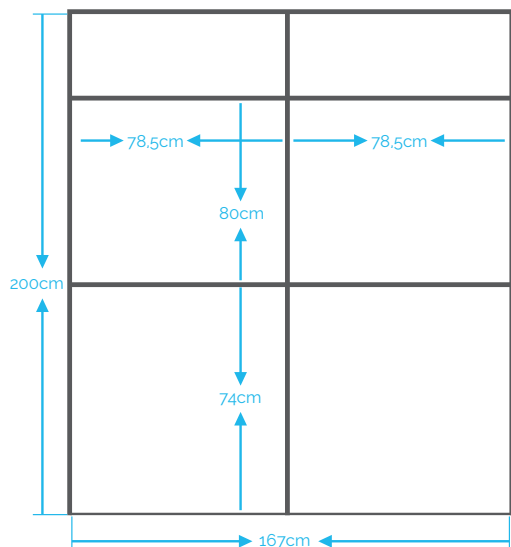
Light grey or dark blue

Assembly:

No tools required

Approximative assembly time:

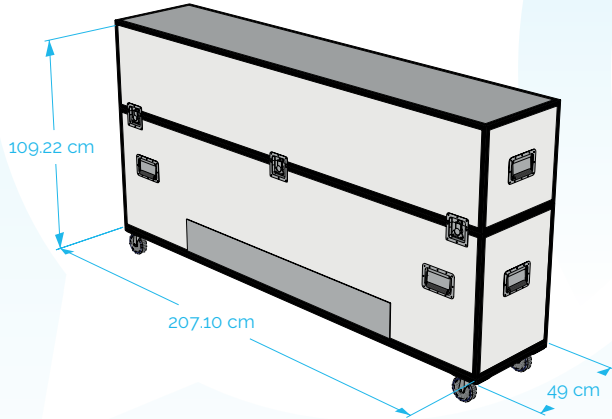
10 minutes (2 persons)



*Interior dimensions shown



Total packaging weight : 171,3 kg



Storage & Shipping:

Included (1) ATA-300 shipping cases on wheels (52,5 kg for 1 case).

Outside case dim. 207,1 cm x 109,22 cm x 49 cm (L x H x D)

Air ventilation:

Included (2) 38 DB Airvac 110 or 220 volts fan assembly units CSA approved.



Options:

Easy to install working table, double Plexiglas® windows, air conditioning, soundproof flooring, interior partition systems, custom size built.

Construction

Each panel is built with ABS plastic exterior with special isolated soundproof fiberglass panel. Material is fire retardant UL-723. Inside covering is made with decorative textile 100% polyester. Cotton of 9 mm. Woven density and weight of 60 gr. per meter. Framing is PVC extrusion with unique connecting concept with industrial Velcro for easy assembly without tools.



PANELS	DIMENSIONS	WEIGHT
Standard panels (3)	85,7 cm x 203,5 cm	10,00 kg
Window panels (4)	85,7 cm x 203,5 cm	14,10 kg
Door panel (1)	85,7 cm x 173,5 cm	17,00 kg
Roof panels (2)	85,7 cm x 203,5 cm	7,70 kg
TOTAL PANELS WEIGHT		118,80 kg
TOTAL PANELS & CASES WEIGHT		171,30 kg

*Included 1 flight case & 2 fans

*Table is optional

*Door panel may be installed on both sides or in the back