

WHISPER CUBE®

TB-0070

Number of panels: 2

Outside dimensions:

120 cm x 61 cm x 61 cm (L x H x D)

Acoustic environment:

N/A

Number of interpreters:



Standard outside color:

Light grey

Standard inside color:

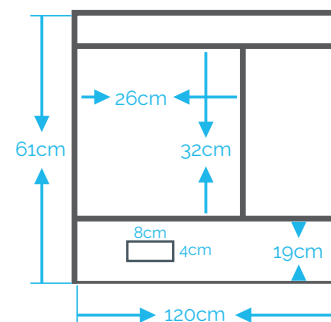
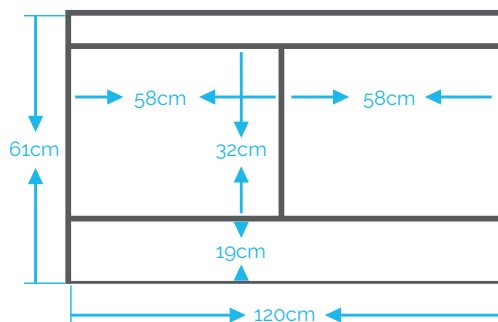
Dark blue. Other colors available on request at an additional cost

Assembly:

No tools required

Approximative assembly time:

10 minutes (2 persons)



*Interior dimensions shown



Total packaging weight : 24,3 kg



Storage & Shipping:

Soft side carrying case
 Outside case dim. 69,5 cm x 69,5 cm x 25,6 cm
 (L x H x D)

Air ventilation:

Open back

Options:

Double Plexiglas®, ATA shipping case.

Construction

Each panel is built with exterior covering of expanded vinyl with special sound barrier of acoustic foam and MIL-B131-H laminating aluminium foil. The inside covering is made with decorative 100% polyester cotton 9 mm woven density, framing is high density PVC extrusion with unique connecting concept with industrial Velcro for easy assembly without tools.



TB-0090 (*Optional)
 ATA shipping case



TB-0100 (*Optional)
 ATA shipping case with retractable handle and wheels



PANELS	DIMENSIONS	WEIGHT
2 panels (portable)	120 cm x 61 cm x 61 cm	23,50 kg
TOTAL PANELS & CASES WEIGHT		24,30 kg

*Included 1 soft carrying case